

bicon[®]
DENTAL IMPLANTS



FIXED-DETACHABLE UNIVERSAL ABUTMENTS



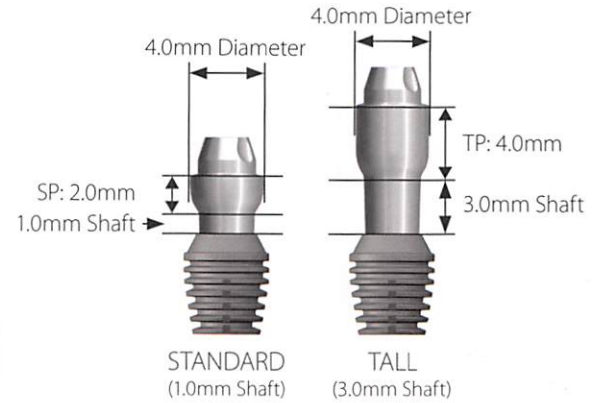
*"Passively fitting prosthetics with intraorally
cemented screw-retained copings."*

2.0mm Post



Part No.	Height	Shaft	Angle
202-310	SP (2.0mm)	Standard	0°
202-315	SP (2.0mm)	Standard	15°
202-520	SP (2.0mm)	Tall	0°
202-525	SP (2.0mm)	Tall	15°

Part No.	Height	Shaft	Angle
202-510	TP (4.0mm)	Standard	0°
202-515	TP (4.0mm)	Standard	15°
202-720	TP (4.0mm)	Tall	0°
202-725	TP (4.0mm)	Tall	15°



2.5mm Post



Part No.	Height	Shaft	Angle
252-310	SP (2.0mm)	Standard	0°
252-315	SP (2.0mm)	Standard	15°
252-520	SP (2.0mm)	Tall	0°
252-525	SP (2.0mm)	Tall	15°

Part No.	Height	Shaft	Angle
252-510	TP (4.0mm)	Standard	0°
252-515	TP (4.0mm)	Standard	15°
252-720	TP (4.0mm)	Tall	0°
252-725	TP (4.0mm)	Tall	15°

3.0mm Post



Part No.	Height	Shaft	Angle
302-310	SP (2.0mm)	Standard	0°
302-315	SP (2.0mm)	Standard	15°
302-520	SP (2.0mm)	Tall	0°
302-525	SP (2.0mm)	Tall	15°

Part No.	Height	Shaft	Angle
302-510	TP (4.0mm)	Standard	0°
302-515	TP (4.0mm)	Standard	15°
302-720	TP (4.0mm)	Tall	0°
302-725	TP (4.0mm)	Tall	15°

Highlights

Bicon's Fixed-Detachable Universal Abutments provide for passively fitting prosthetics with intraorally cemented screw-retained copings.

- Assure passively-fitting substructures with screw-retained copings that are cemented into a TRINIA® prosthesis
- Fabricate passive screw-retained prostheses using a variety of materials including TRINIA® and PMMA
- A variety of heights and angles are offered to accommodate various implant placement depths and soft tissue heights

Fixed-Detachable Universal Abutment Components

