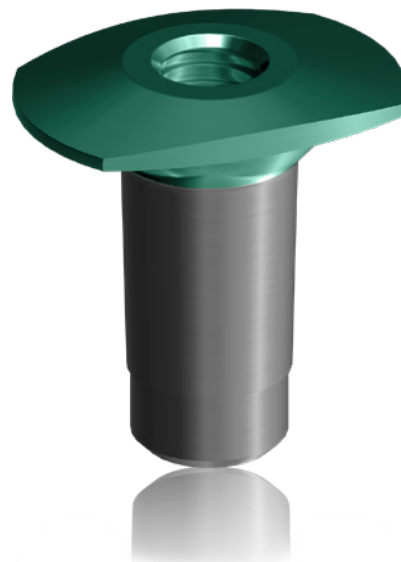




THIN CRESTAL TEMPORARY ABUTMENTS



Standard Shaft

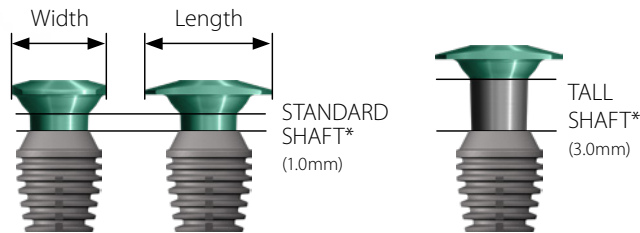
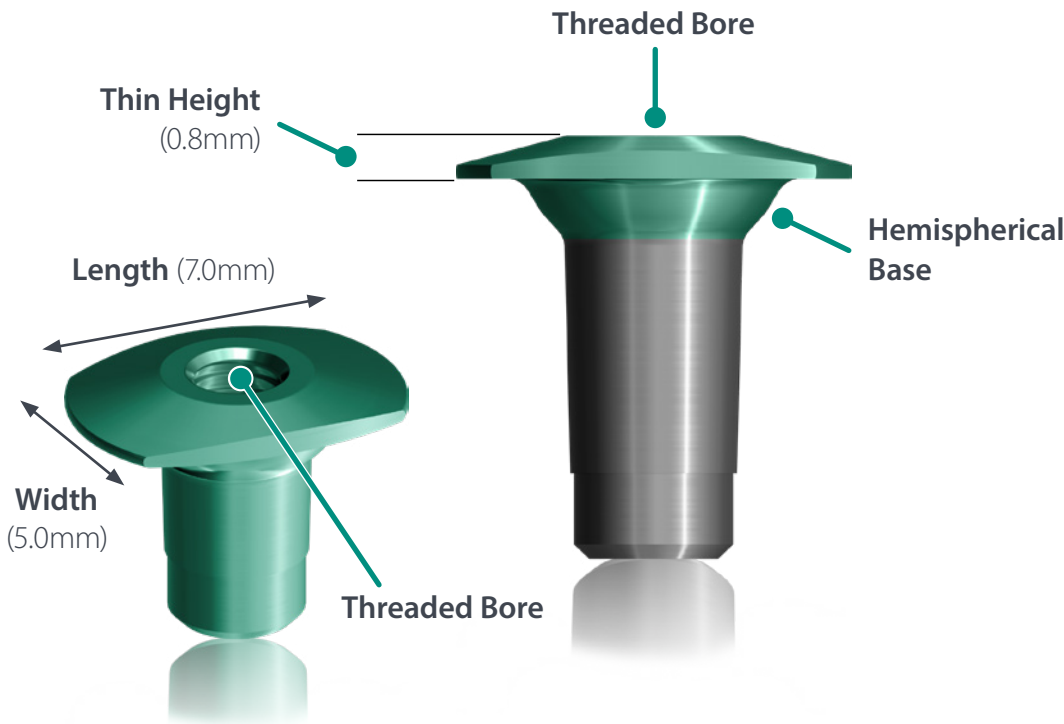


Tall Shaft

"Prevents inadvertent over seating of an implant while facilitating mucosal closure."



View case study here:
www.bicon.com/tcta



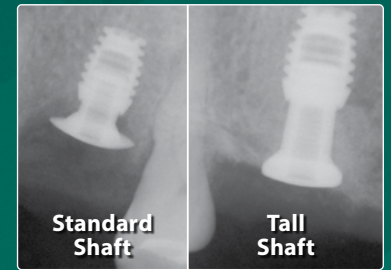
**Tall shafts are 2.0mm taller than standard shafts and are helpful for deeply-positioned implants often avoiding the need for removing bone over the implant with sulcus formers.*

Highlights

Bicon's Thin Crestal Temporary Abutment can prevent the inadvertent over seating of an implant while facilitating mucosal closure.

- Used in either arch to prevent the inadvertent over seating of an implant
- Used with 3.0mm well implants
- Thinness facilitates mucosal closure
- Threaded bore permits for the easy insertion or removal with a threaded instrument
- Threaded bore provides for the screw retention of a membrane

Material: Ti6Al4V-ELI



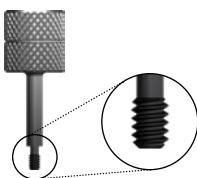
3.0mm Post

Part No.	Length	Width	Shaft
370-505	7.0mm	5.0mm	Standard 1.0mm
370-595	7.0mm	5.0mm	Tall* 3.0mm

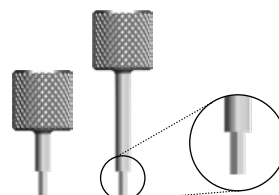


100-023 Mesh Retention Screw (2)
(Only used to retain a membrane)

Thin Crestal Temporary Abutment Components



101-505 Thin Crestal Temporary Abutment Removal Tool



101-024 10mm Hex Screwdriver
101-026 20mm Hex Screwdriver

**Tall shafts are 2.0mm taller than standard shafts and are helpful for deeply-positioned implants often avoiding the need for removing bone over the implant with sulcus formers.*

NOTE: All part numbers begin with the prefix "260-"